

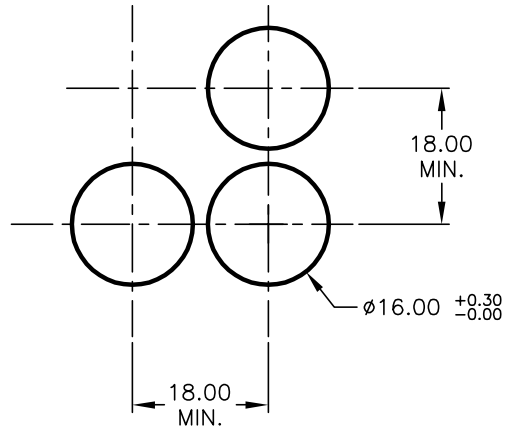
PARTS LIST			
ITEM	QTY.	PART NO.	PART DESCRIPTION
1	1	F040003	L16 PL R1 00
2	1	F050405	50-004-05 (Incandescent bulb)
3	1	F050112	50-001-12 (Green lens)

a-(L)-b (+)

CIRCUIT: PILOT INDICATOR

NOTES:

- ALL DIMENSIONS IN MM
- GENERAL TOLERANCE: X.X=±0.4  
X.XX=±0.25
- RATINGS: 1A, 2A, 4A, 5A @250V AC  
28V AC/DC 40Ma (INCANDESCENT BULB)
- CONTACT MATERIAL: COPPER ALLOY W/Silver Plating



RECOMMENDED PANEL MOUNTING

SCALE 1:1

B	14265	ADD LENS NOTE	8/25/04	AR
A	14120	RELEASE FOR PRODUCTION	6/28/04	AR
REV.	ECN No.	DESCRIPTION	DATE	CHKD

THE INFORMATION CONTAINED IN THIS DOCUMENT IS PROPRIETARY TO E-SWITCH AND IS NOT TO BE COPIED OR TRANSFERRED

<b>E-SWITCH®</b>				
TITLE		L16PLR10CGRN		
SCALE	DATE	DR	DWG	REV
1.5:1	6/28/04	AR	XF0359P	B